

PRODUCT NAME

HARLOW

PRODUCT DESCRIPTION

Like its namesake, the Harlow has a sensuality that is expressed in its looped open back and flared then tapered legs.

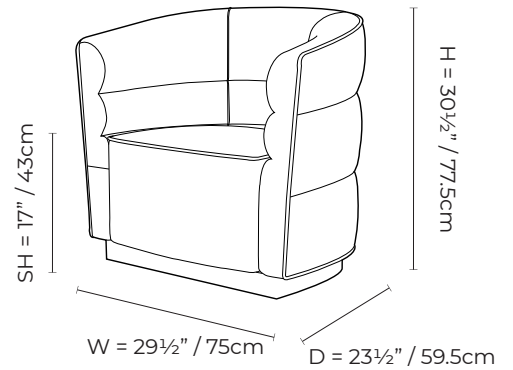
TECHNICAL SPECIFICATIONS

- o Available in polished stainless-steel or electroplated polished gold or rose gold
- o 1/16" / 3mm thick on back with hand-polished edges to prevent sharp edges
- o Removable seat cushion with high-density foam
- o Reinforced stainless-steel base
- o Stacks 5 high for easy storage
- o Can be ordered with extra cushions for versatility
- o Hand polished back to prevent sharp edges

AVAILABLE MATERIALS

- | | | | | | |
|-----------------|-----------------|-------------|--------------|----------------|------------|
| STAINLESS STEEL | ANILINE LEATHER | DANISH WOOL | FAUX LEATHER | PRINTED VELVET | SLUB LINEN |
| VELVET | UNCUT CHENILLE | | | | |

For specific material details please see fabrication spec sheet



PRODUCT NAME

HARVARD

PRODUCT DESCRIPTION

Sleek and streamlined with a forward-curving silhouette and waterfall seat cushion, this chair provides comfort and grace on a low brushed stainless-steel base.

TECHNICAL SPECIFICATIONS

- o Re-enforced seams with piping
- o Base available in brushed stainless-steel or electroplated brushed gold
- o Base is made from E1 Standard plywood
- o Kiln-dried hardwood frame
- o High density foam used for seat, arms and back

AVAILABLE MATERIALS

STAINLESS STEEL

ANILINE LEATHER

DANISH WOOL

FAUX LEATHER

PRINTED VELVET

SLUB LINEN

UNCUT CHENILLE

VELVET

For specific material details please see fabrication spec sheet